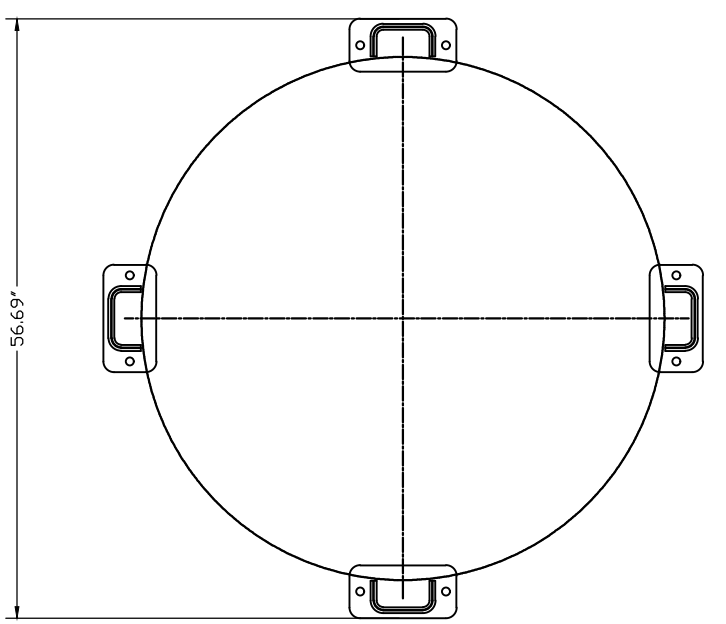
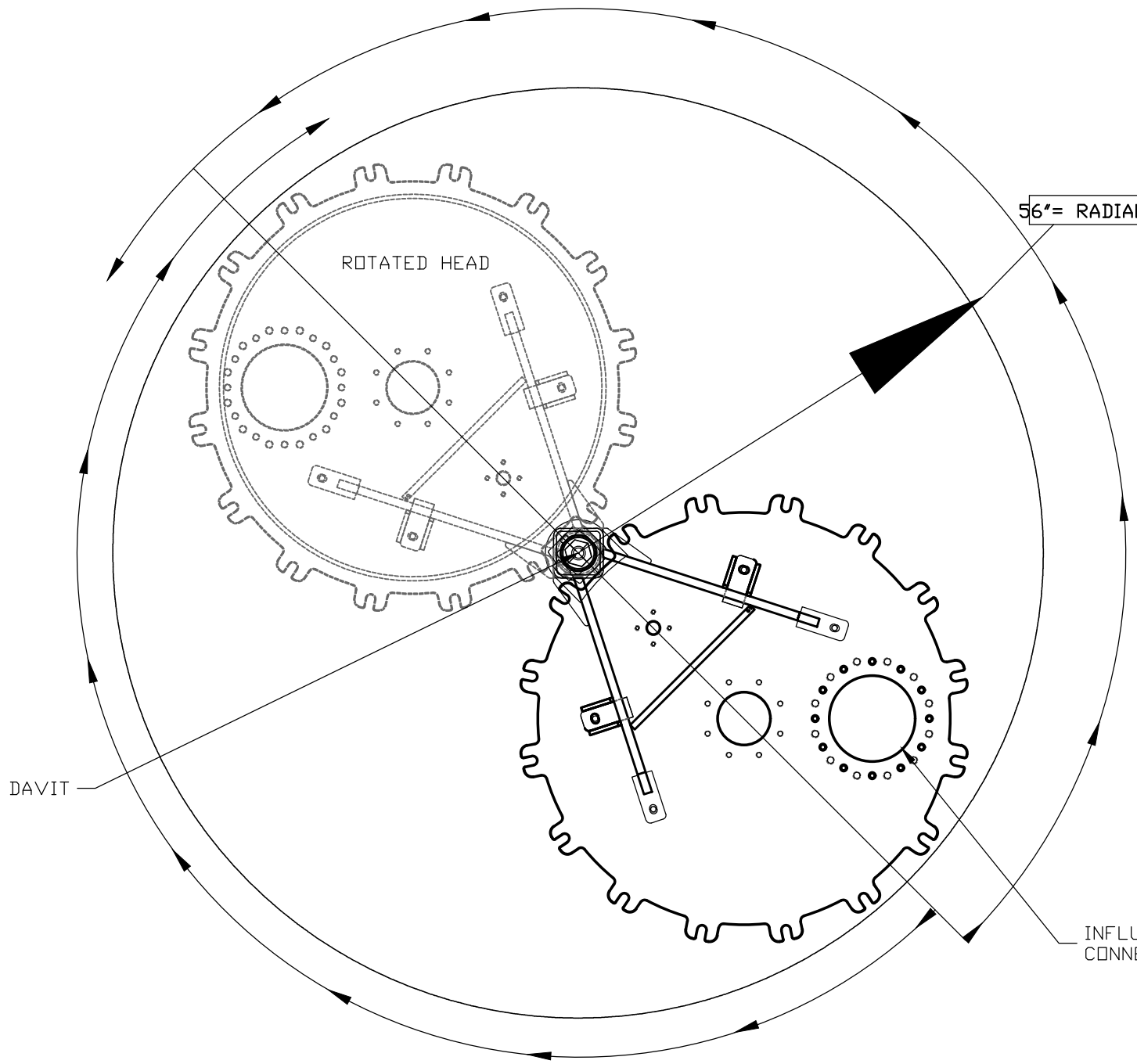


UPPER HEAD AND ELEMENT DETAIL



FOUNDATION FOOT PRINT

DIMENSIONS FOR REFERENCE ONLY, NOT FOR CONSTRUCTION UNLESS CERTIFIED BY NEPTUNE BENSON

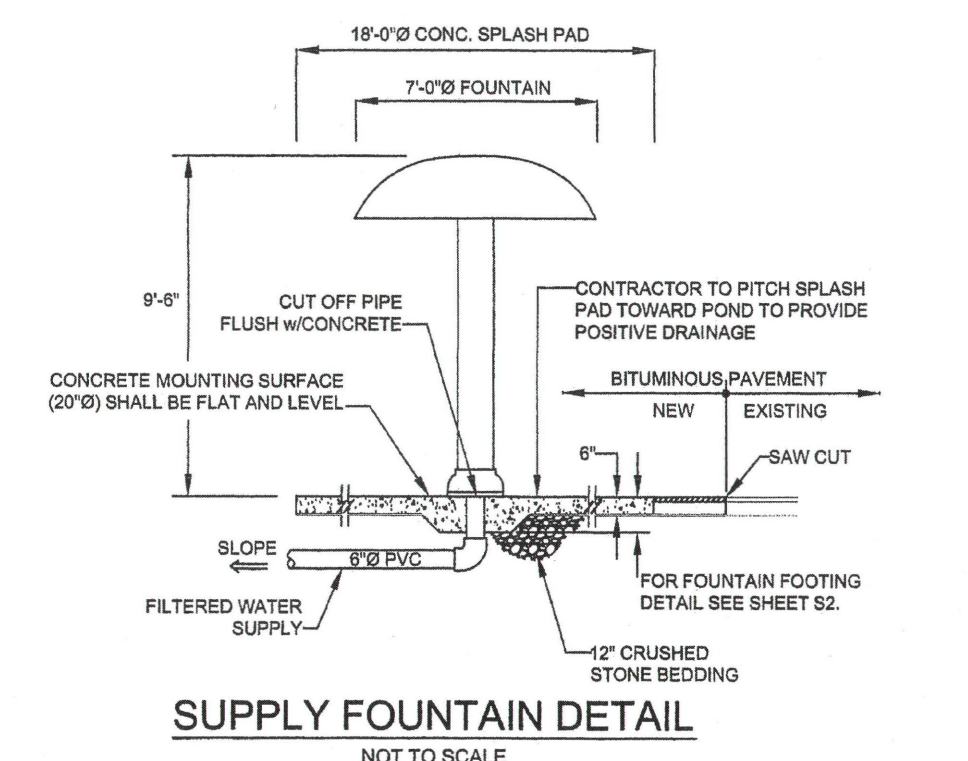


HEAD REMOVAL CLEARANCE REQUIREMENT

NOTE:
HEAD ROTATION SHOWN TWO WAYS, CLOCKWISE & COUNTER CLOCKWISE

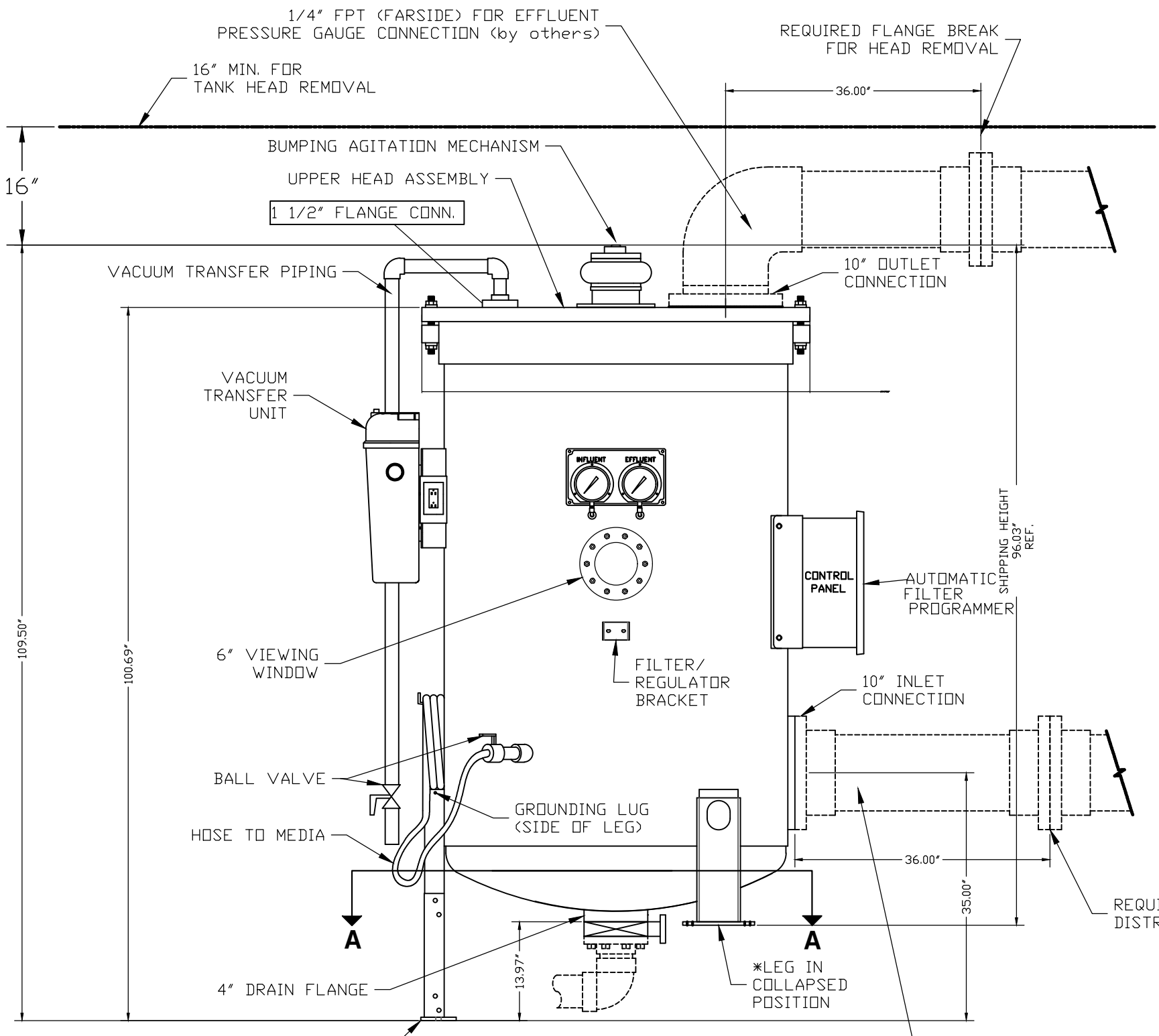
BILL OF MATERIAL				
MARK	NO. POS.	DESCRIPTION	PART #	REMARKS
1	1	DEFENDER FILTER #SP-49-48-1548-A	SP-49-48-1548-A	
2	1	AUTOMATIC FILTER PROGRAMMER MODEL RMF 120V	MICROMRF	SHIP LOOSE
3	1	120V VACUUM TRANSFER UNIT	13002	
4	1	MEDIA SUCTION ASSEMBLY	11141	SHIP LOOSE
5	1	VACUUM HOSE, & BRACKET		SHIP LOOSE
6	1	FILTER/REGULATOR	11518	NOT SHOWN
7	1	1/2" NPT CONNECTION		SHIP LOOSE
8	1	VACUUM TRANSFER PLUMBING KIT	12882	SHIP LOOSE
8	1	DEFENDER DRAIN VALVE 4" W/EXTEN.	12518	SHIP LOOSE

MATERIAL SHIPPED LOOSE

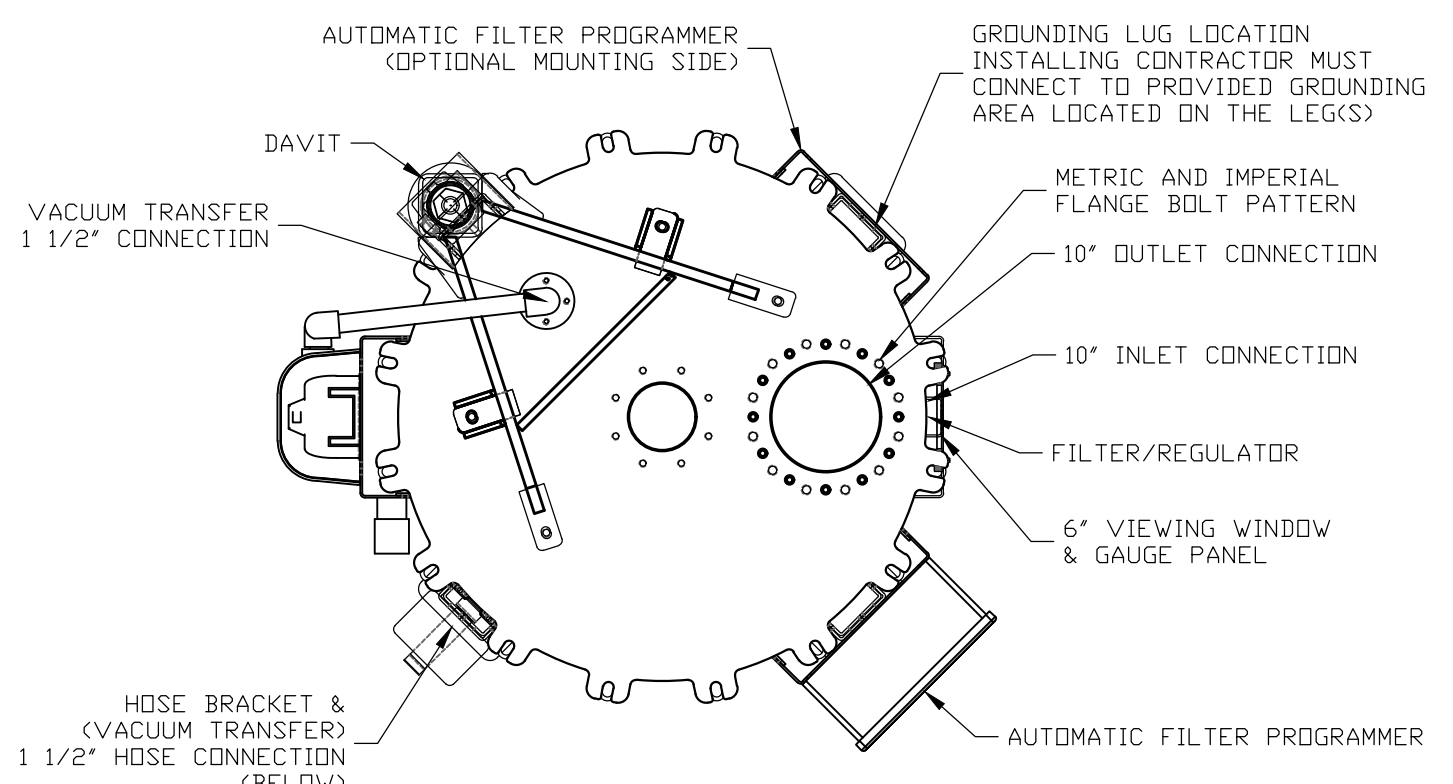


SUPPLY FOUNTAIN DETAIL

- NOTES:
1. VALVE TO BE INSTALLED ON EACH SUPPLY LINE TO REGULATE FLOW.
 2. TO WINTERIZE ALL WATER SHALL BE EVACUATED BY AIR.
 3. GROUND IN ACCORDANCE WITH CODE.
 4. CONCRETE SHALL CURE A MINIMUM OF 7 DAYS BEFORE INSTALLING STRUCTURE.



FRONT ELEVATION



PLAN VIEW

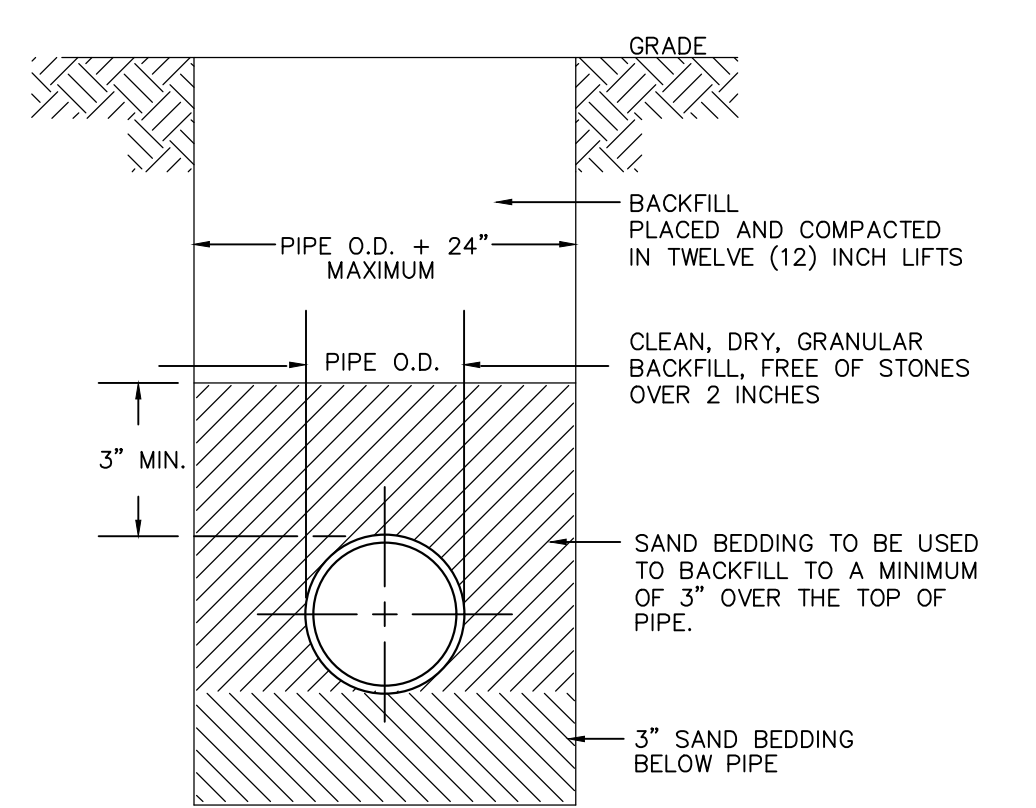
DRAIN VALVE ORIENTATION PLAN VIEW - SECTION A:A

- NOTES:**
1. FILTER TANK IS TO BE CONSTRUCTED OF HIGH QUALITY A36 CARBON STEEL, UPPER HEAD THICKNESS = 1 3/4", LOWER HEAD THICKNESS = 5/16" & SHELL THICKNESS = 1/4". INTERIOR OF TANK IS LINED WITH FLEXSOL 3000. EXTERIOR IS COATED WITH 5-8 MILS OF HIGH SOLIDS ENAMEL. NO WELDING OR EXTREME HEAT IS TO BE APPLIED TO TANK AFTER LINING OR COATING PROCESS IS DONE.
 2. ELECTRICAL REQUIREMENTS: 120VAC-10-60Hz, 15 AMP CIRCUIT PROTECTION. LOCATE ALL ELECTRICAL ITEMS IN A NON-HAZARDOUS LOCATION.
 3. ELECTRICAL CONNECTIONS ARE THE RESPONSIBILITY OF THE CUSTOMER.
 4. MEDIA QUANTITIES ARE INDICATED FOR INFORMATIONAL PURPOSES ONLY.
 5. ALL PNEUMATIC TUBING BY POOL CONTRACTOR.
 6. DRAIN VALVE MUST BE A BUTTERFLY VALVE AND INSTALLED DIRECTLY ON THE BOTTOM TANK HEAD.
 7. DESIGN PRESSURE IS 50psi. HYDROSTATICALLY TESTED TO 75psi.

NOTES	
IMPERIAL CONNECTIONS	
FLANGES CONFORM TO ANSI B16.5, CLASS 150	
TANKS ARE SHIPPED WITH LEGS IN THE COLLAPSED POSITION TO REDUCE OVERALL HEIGHT AND ASSIST TANK ACCESS. TANK MUST BE INSTALLED WITH LEGS IN EXTENDED POSITION.	
INFLUENT, EFFLUENT & DRAIN CONNECTIONS ARE DRILLED FOR METRIC AND IMPERIAL FLANGE BOLT PATTERNS	
SEE PLAN VIEW FOR TRUE ORIENTATION OF ALL FITTINGS	
SPECIAL NOTES:	
NONE	

FILTER DATA	
FLOW RATE =	606-1695 G.P.M.
FILTRATION RATE =	.5-1.4 GPM/SQ.FT.
FILTER AREA =	1211 SQ.FT.
NUMBER OF TUBES =	1548
UNIT WEIGHT:	3,320 LBS. - DRY
UNIT CAPACITY:	615 GALS
OPERATING WEIGHT:	8,437 LBS.
4 LEGS PER TANK	
CONCRETE BEARING PRESSURE =	42 P.S.I.
MEDIA REQUIREMENTS	
PERLITE:	96 LBS. (11.52 cu.ft.)

AUTOMATIC WATER LEVEL CONTROLLER
N.T.S.



PIPE BEDDING & BACKFILL DETAIL
N.T.S.

DEFENDER FILTER, MODEL #SP-49-48-1548-A, REQUIRED AS SHOWN

REV	DESCRIPTION	DATE	DWN	CHKD	APVD	ECN

DESIGNER	INIT	DATE	TITLE
CHECKER	INIT	DATE	
ENGINEER	INIT	DATE	CLIENT
MANAGER	INIT	DATE	
REF:			
SCALE:	NTS		

[PROJECT NAME]	
[POOL NAME]	
[CUSTOMER]	
PROJECT	CODE
XXXXX	DEF
DRAWING	SHEET
SP-49-48-1548-A	1 OF 1
REV	-

COMPANY CONFIDENTIAL INFORMATION
THIS DOCUMENT AND ALL INFORMATION CONTAINED HEREIN INCLUDING THE DESIGN CONCEPTS ARE THE PROPERTY OF NEPTUNE AND/OR ITS AFFILIATES AND ARE SUBMITTED IN CONFIDENCE. THEY MAY BE USED ONLY FOR THE EXPRESS PURPOSE FOR WHICH THEY ARE PROVIDED AND MUST NOT BE REPRODUCED, REPRODUCED, LOANED OR USED IN ANY OTHER MANNER WITHOUT THE EXPRESS WRITTEN CONSENT OF NEPTUNE. ALL PATENT RIGHTS ARE RESERVED. THIS DOCUMENT IS PROTECTED UNDER APPLICABLE COPYRIGHT LAWS. UPON DEMAND OF NEPTUNE, THIS DOCUMENT ALONG WITH ALL COPIES AND EXTRACTS AND ALL RELATED NOTES AND ANALYSES MUST BE RETURNED TO NEPTUNE OR DESTROYED AS INSTRUCTED BY NEPTUNE. ACCEPTANCE OF THE DELIVERY OF THIS DOCUMENT CONSTITUTES AGREEMENT TO THESE TERMS.

FOR HEALTH DEPARTMENT APPROVAL

THIS SHEET IS INCOMPLETE AND INVALID WITHOUT EACH AND EVERY OTHER SHEET LISTED IN THE TITLE BOX UNDER THE HEADING O.C.H.D. SHEET NO. _ OF _

DATE	DESCRIPTION	
6/17/19	ORIGINAL PREPARATION DATE	
CENTRAL VALLEY SWIMMING POOL		
TOWNSHIP OF WOODBURY ORANGE COUNTY, NEW YORK		
SWIMMING POOL DETAILS		
DRAWING TITLE		
SIGNATURE _____ DATE _____		
UNAUTHORIZED ALTERATION OR ADDITION TO A PLAN BEARING A LICENSED LAND SURVEYOR'S OR PROFESSIONAL ENGINEER'S SEAL IS A VIOLATION OF SECTION 7209, SUB-DIVISION 2 OF THE N.Y. STATE EDUCATION LAW.		
JOHN PETROCCIONE P.E.		
LICENSE NO. 078516		
129 NEPTUNE DRIVE, MONROE, NEW YORK 10950		
(845) 782-7725		
SCALE	PROJECT	CAD REFERENCE
AS NOTED	19148.01	WOODBURY CVP PLAN
OCHD DWG.NO	DWG.NO	
7 of 8	7 of 8	